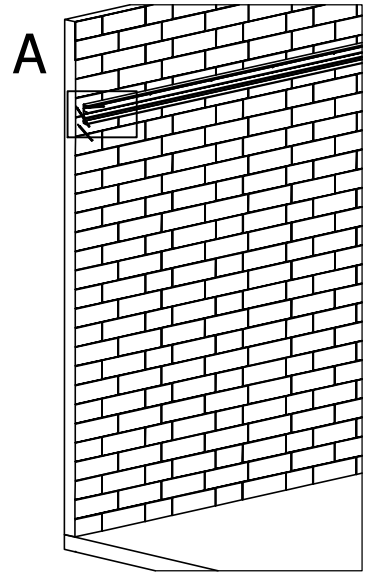
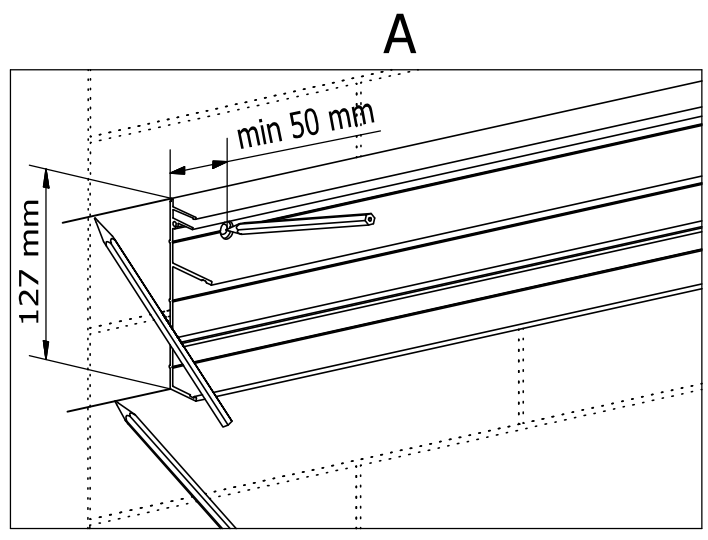
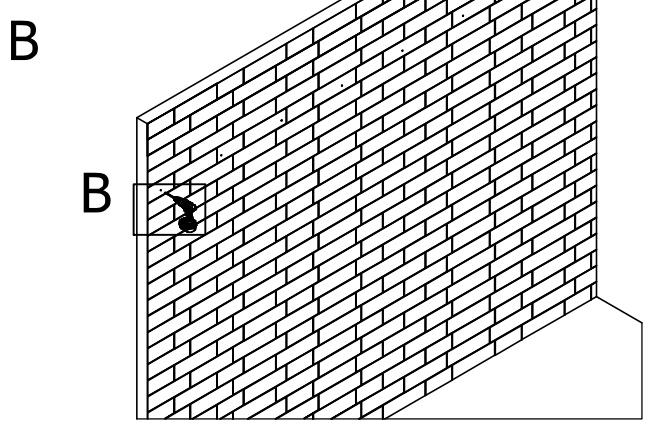
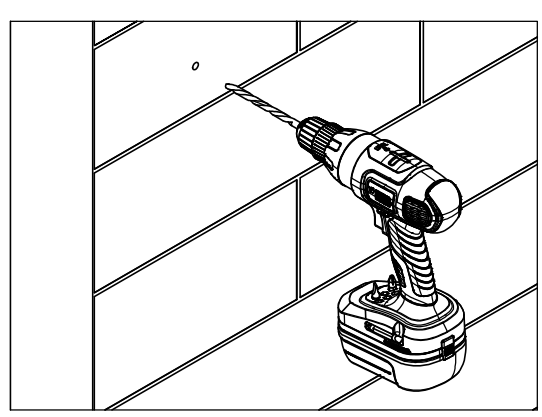


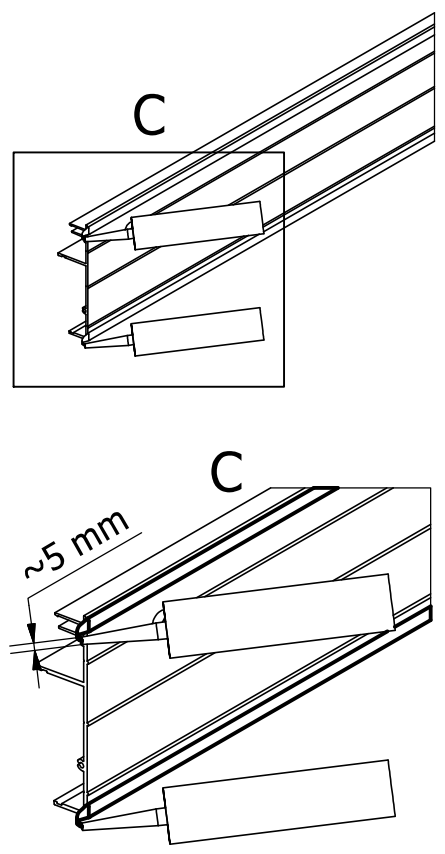
1.3



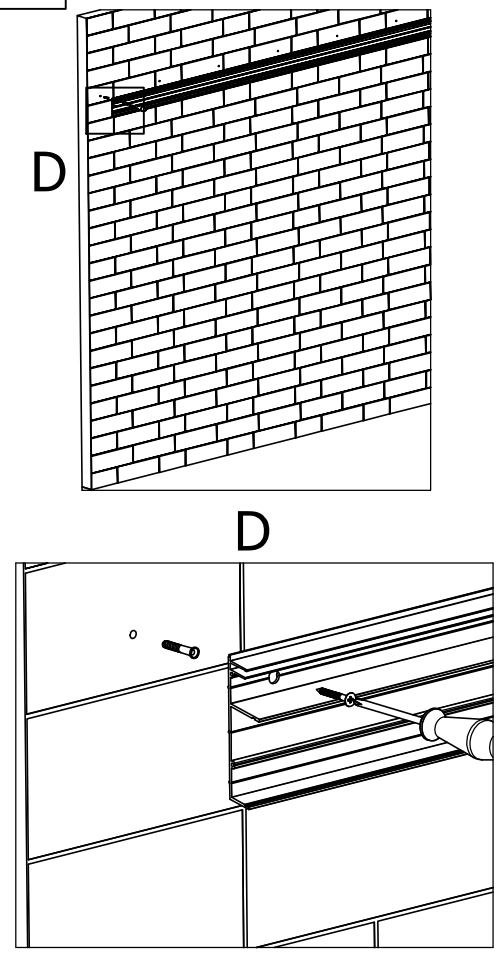
1.4



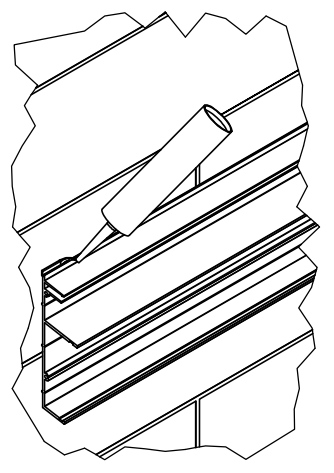
1.5

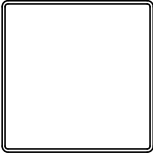
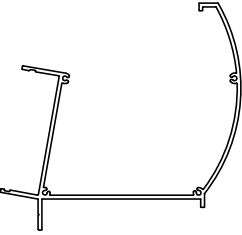
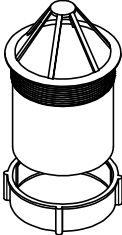
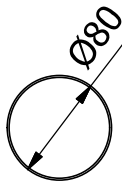
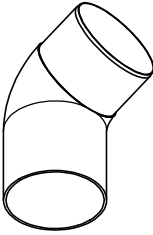

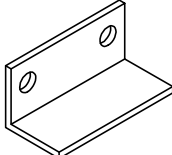



1.6

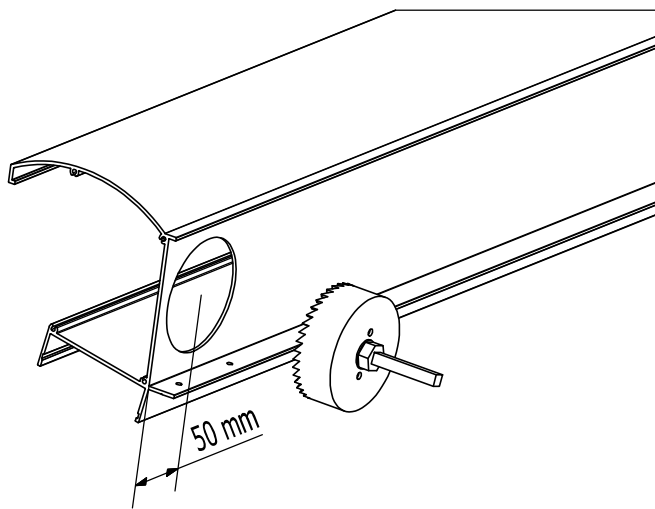


1.7

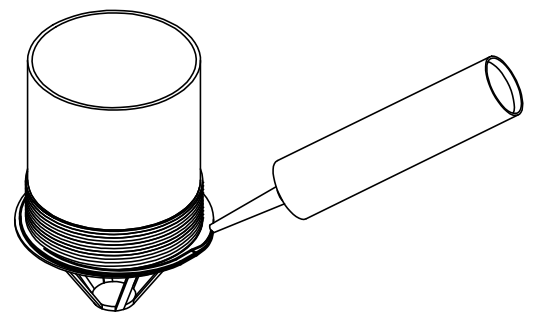


2							
xA	x1	x1	x1	x1	x2	x4	x8
							

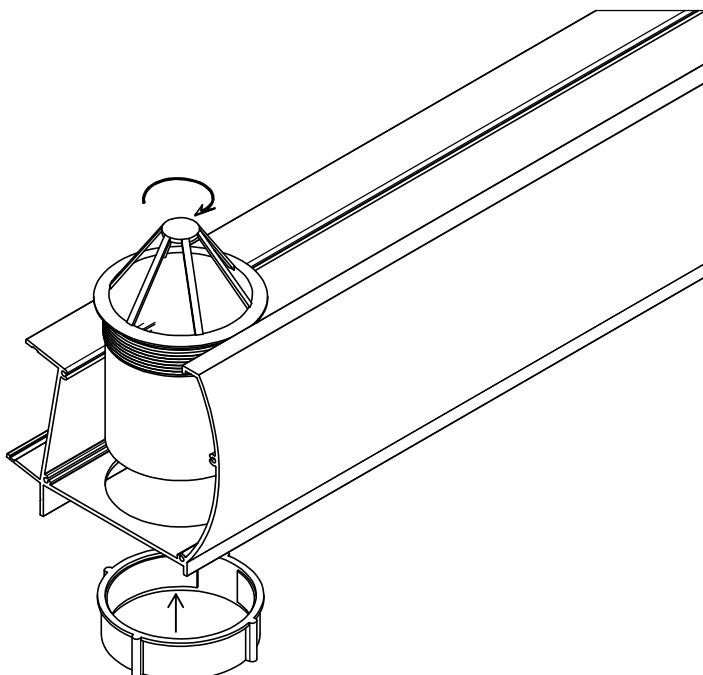
2.1

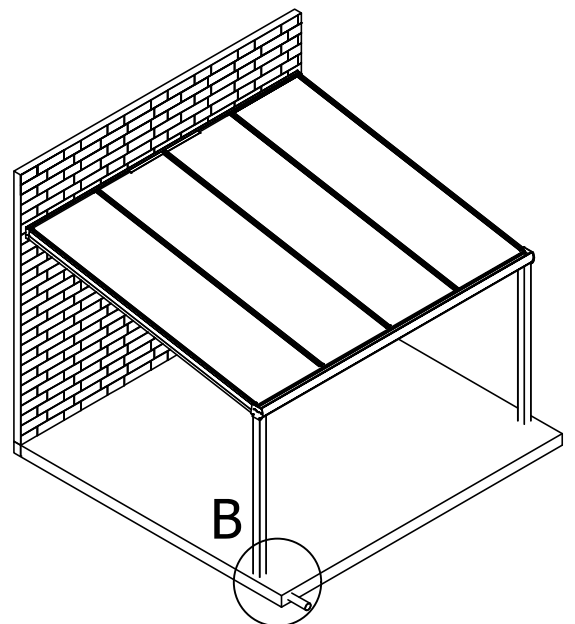
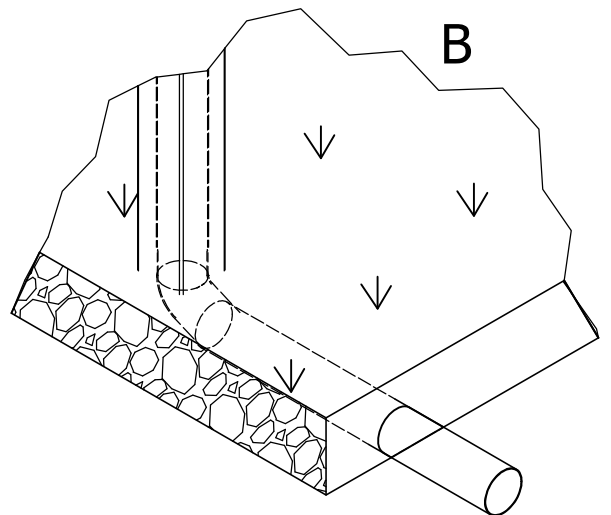
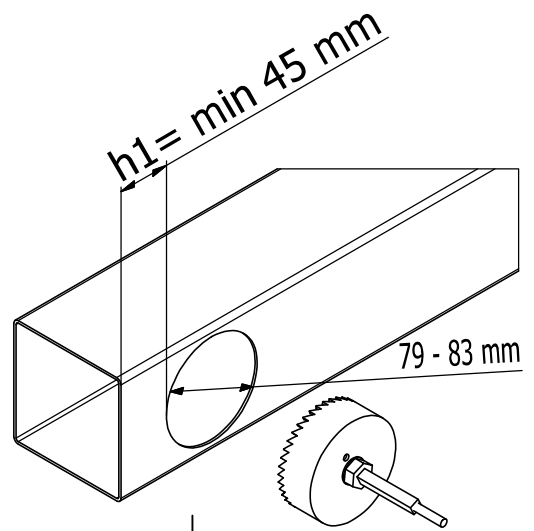
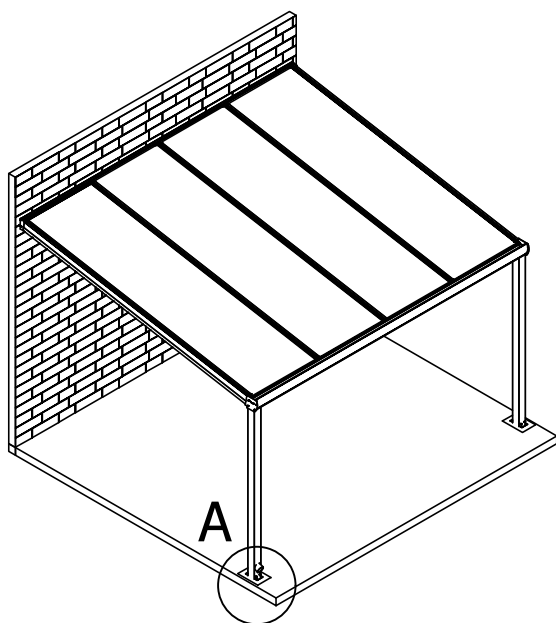
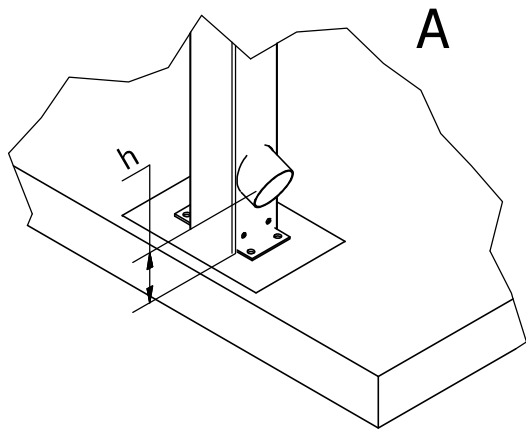
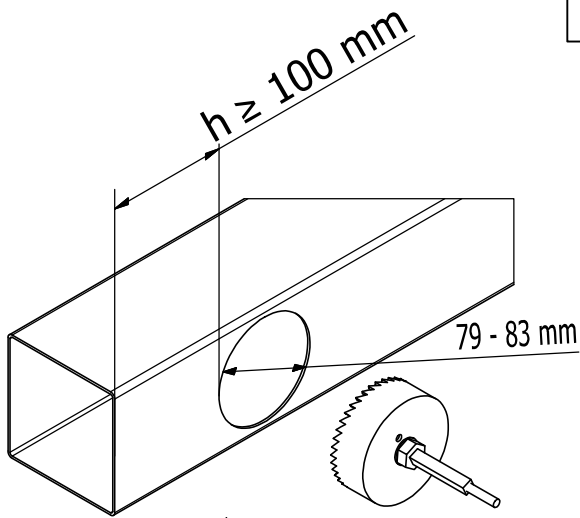


2.2

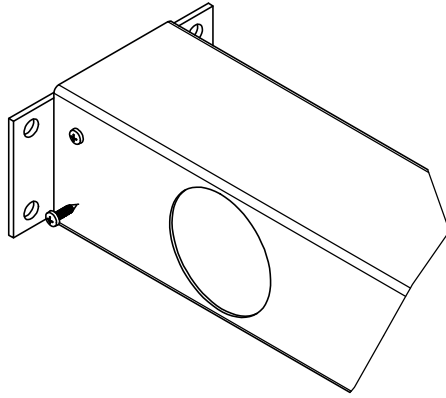


2.3

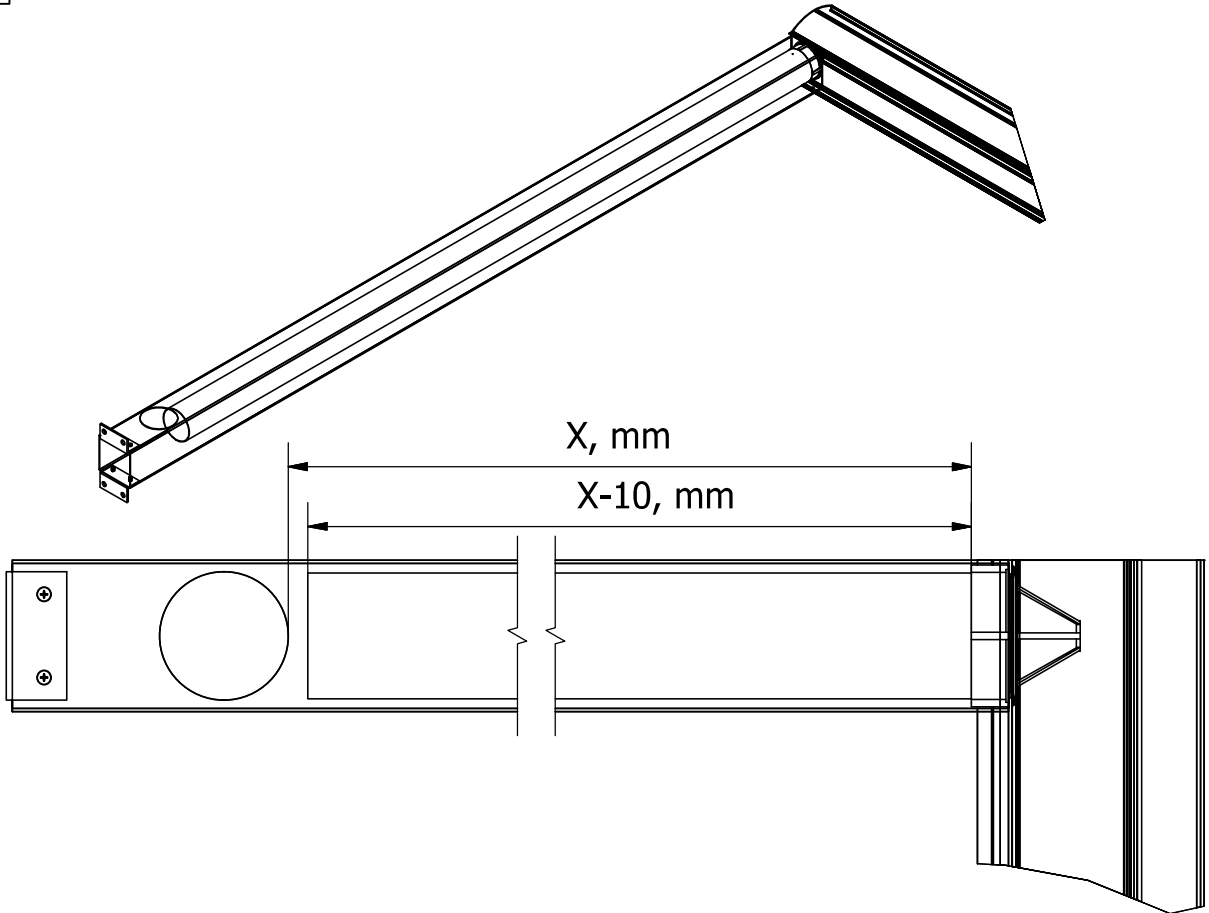




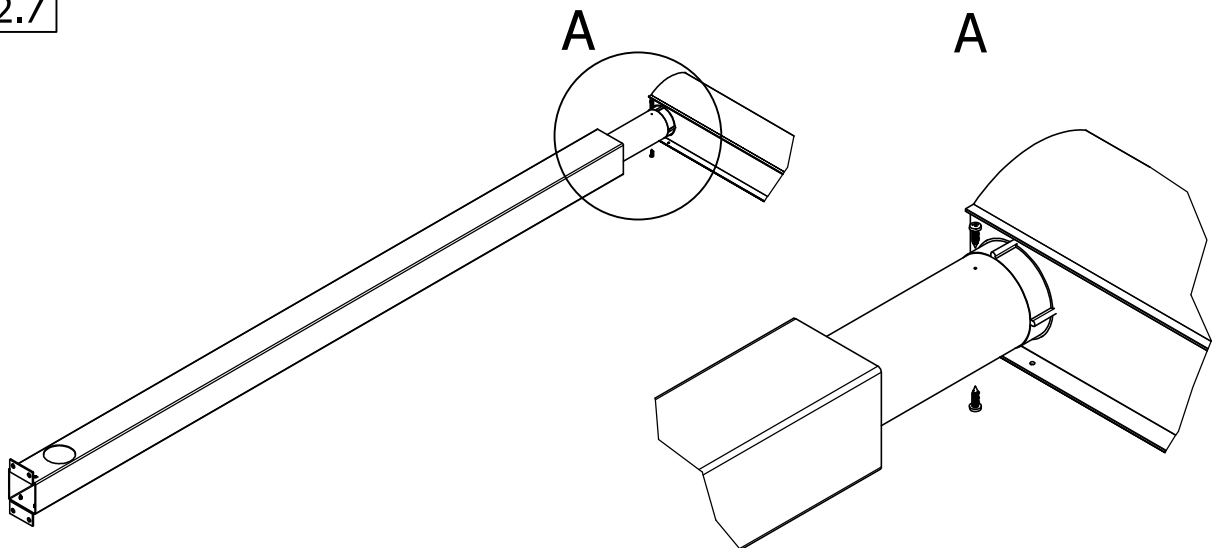
2.5



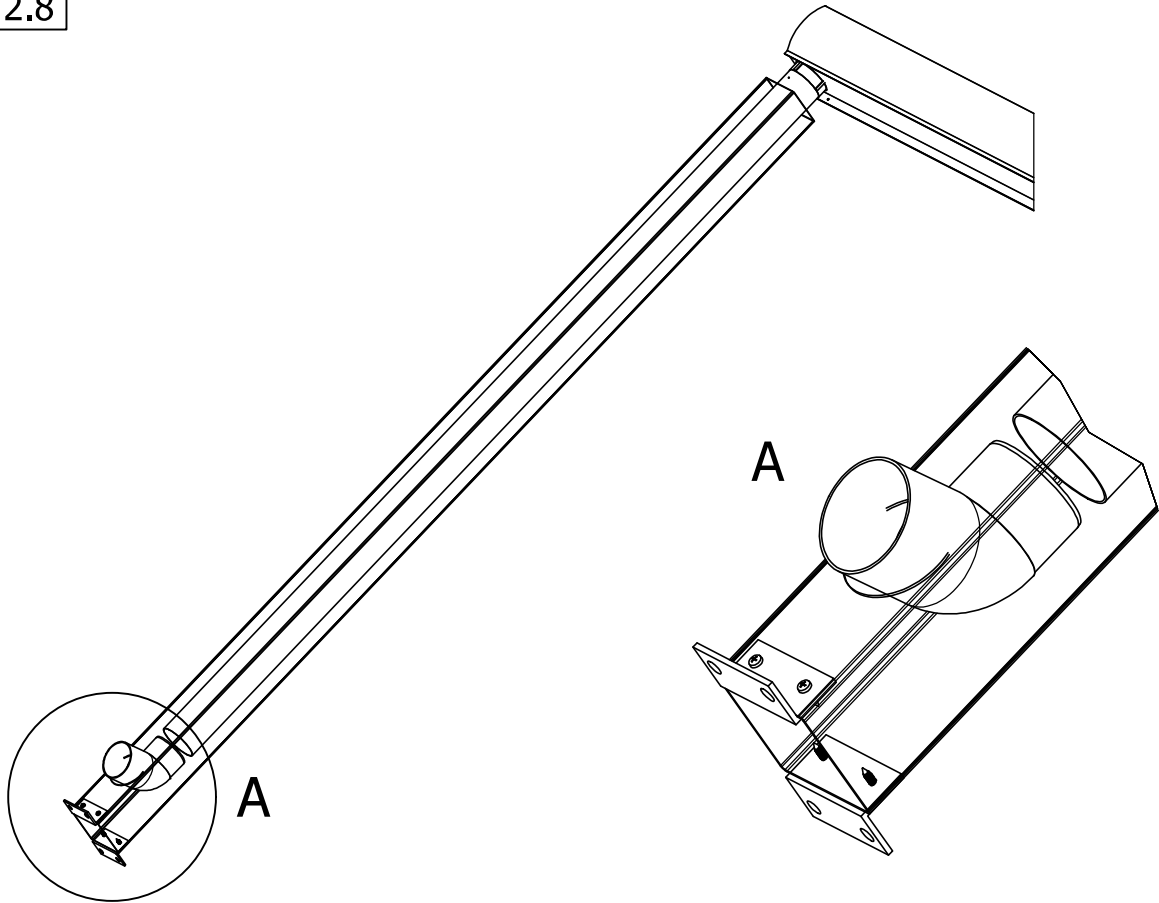
2.6



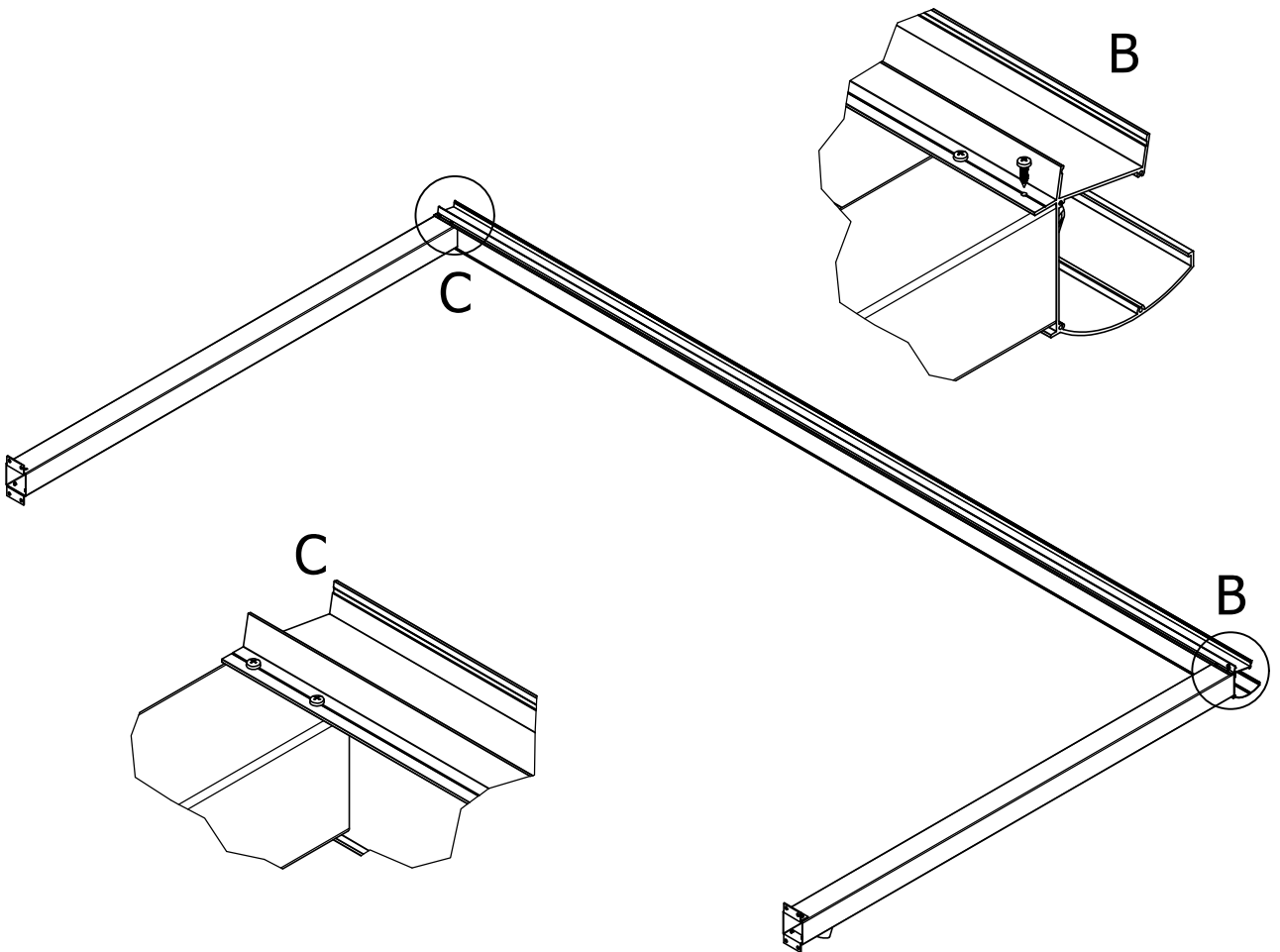
2.7

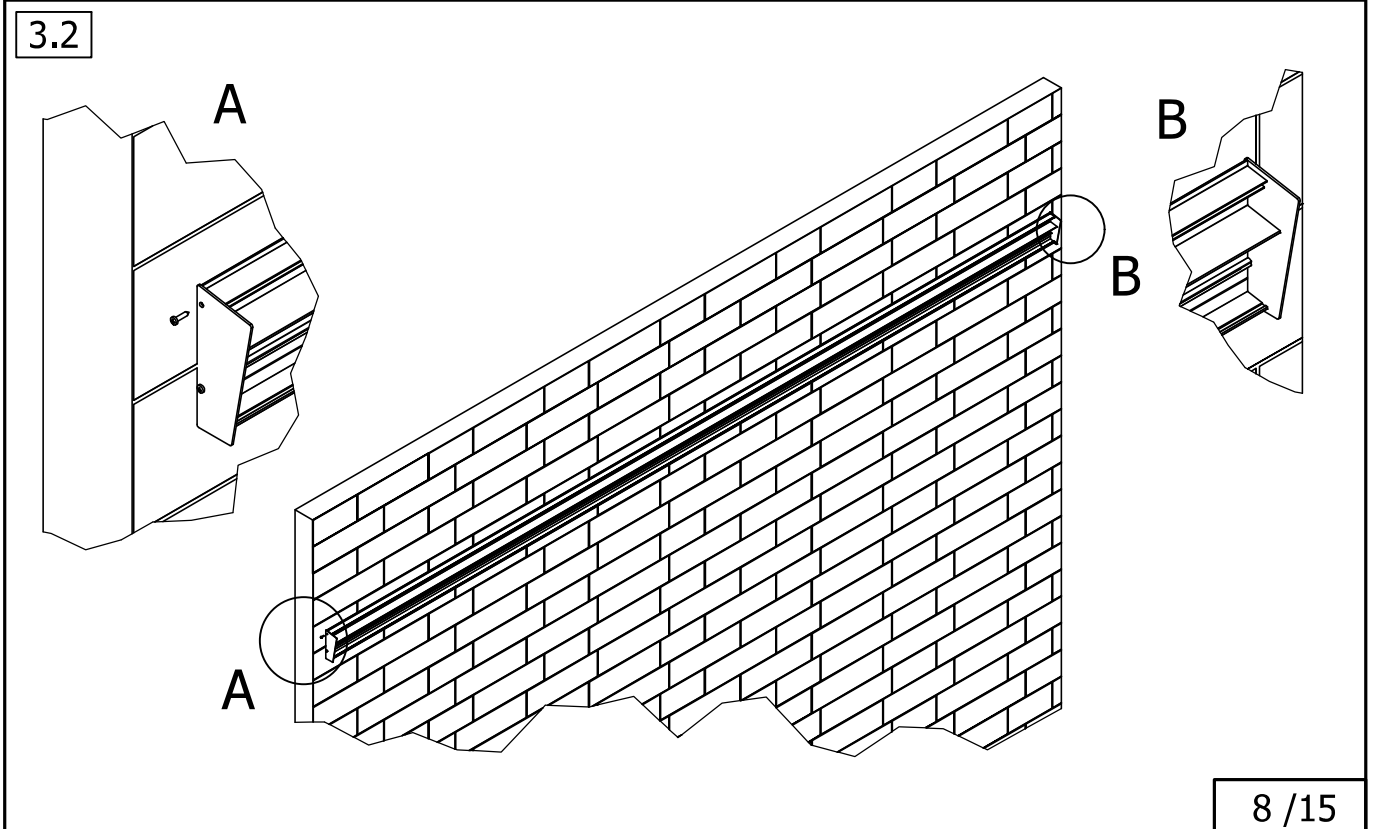
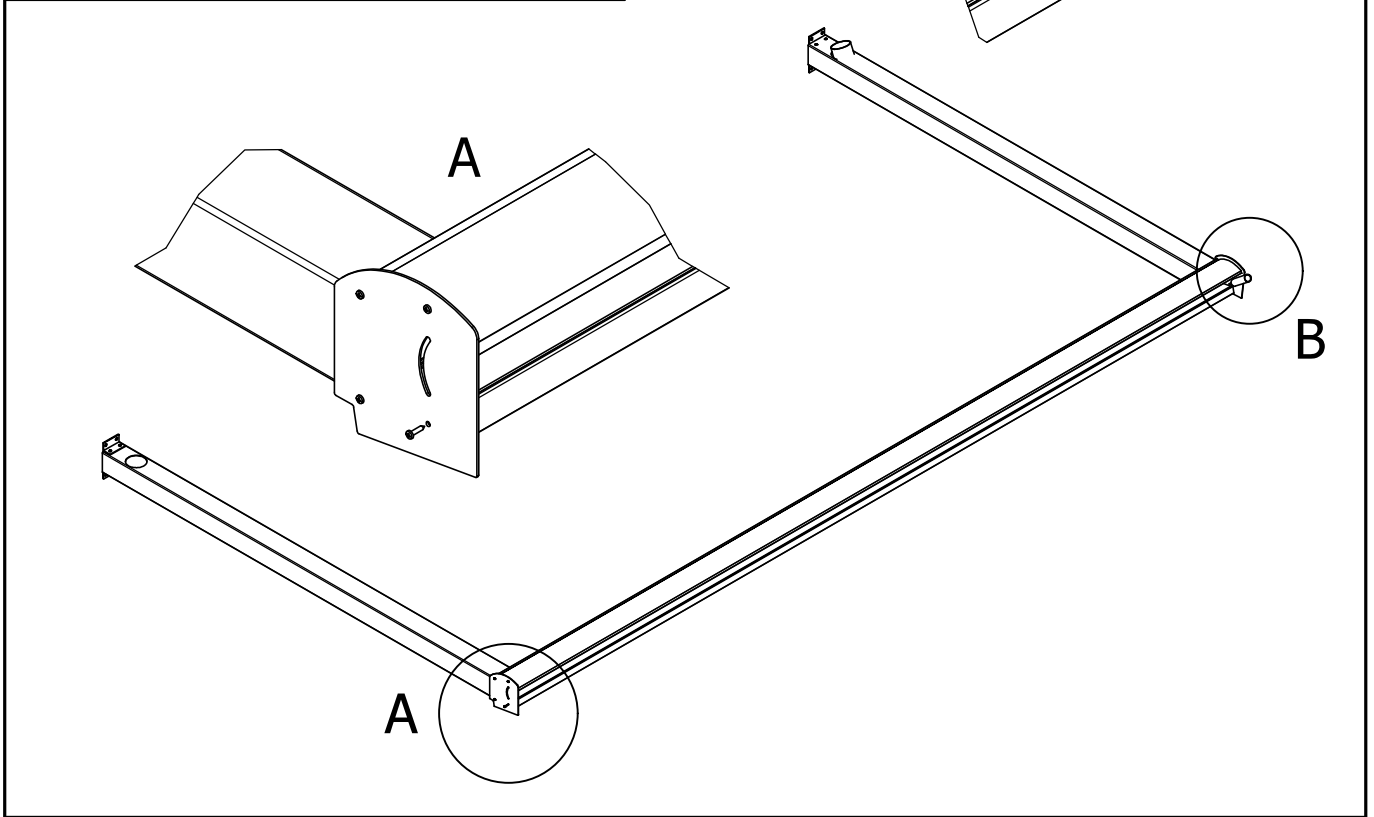
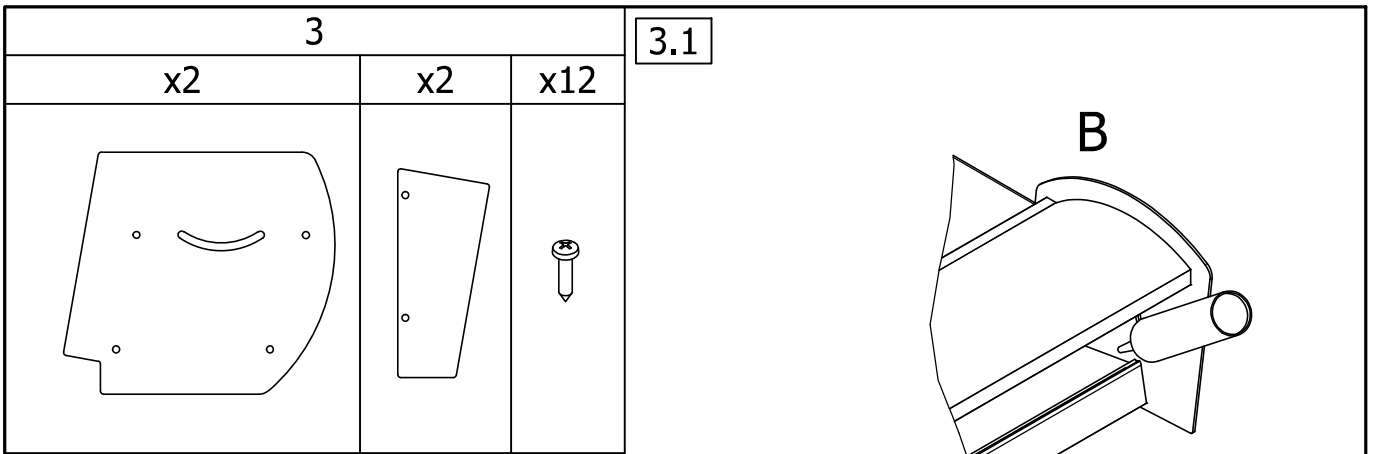


2.8



2.9





4

x 1

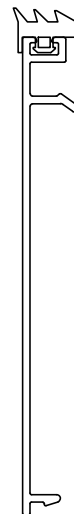
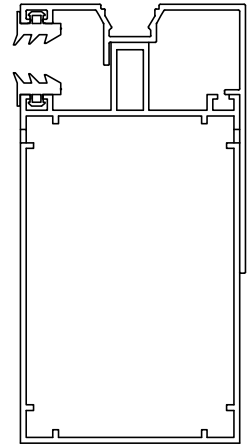
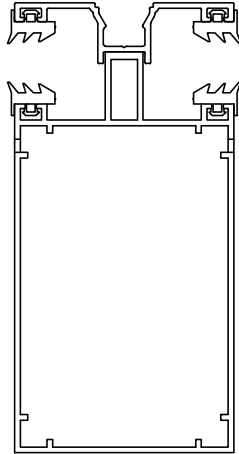
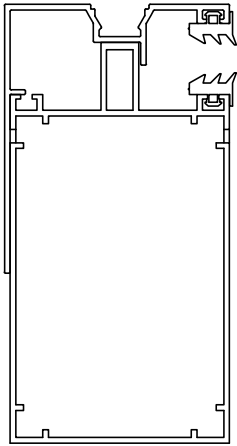
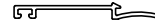
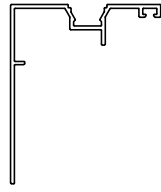
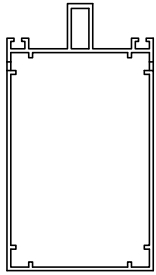
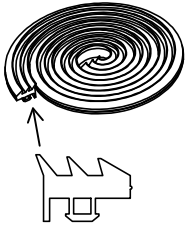
x B

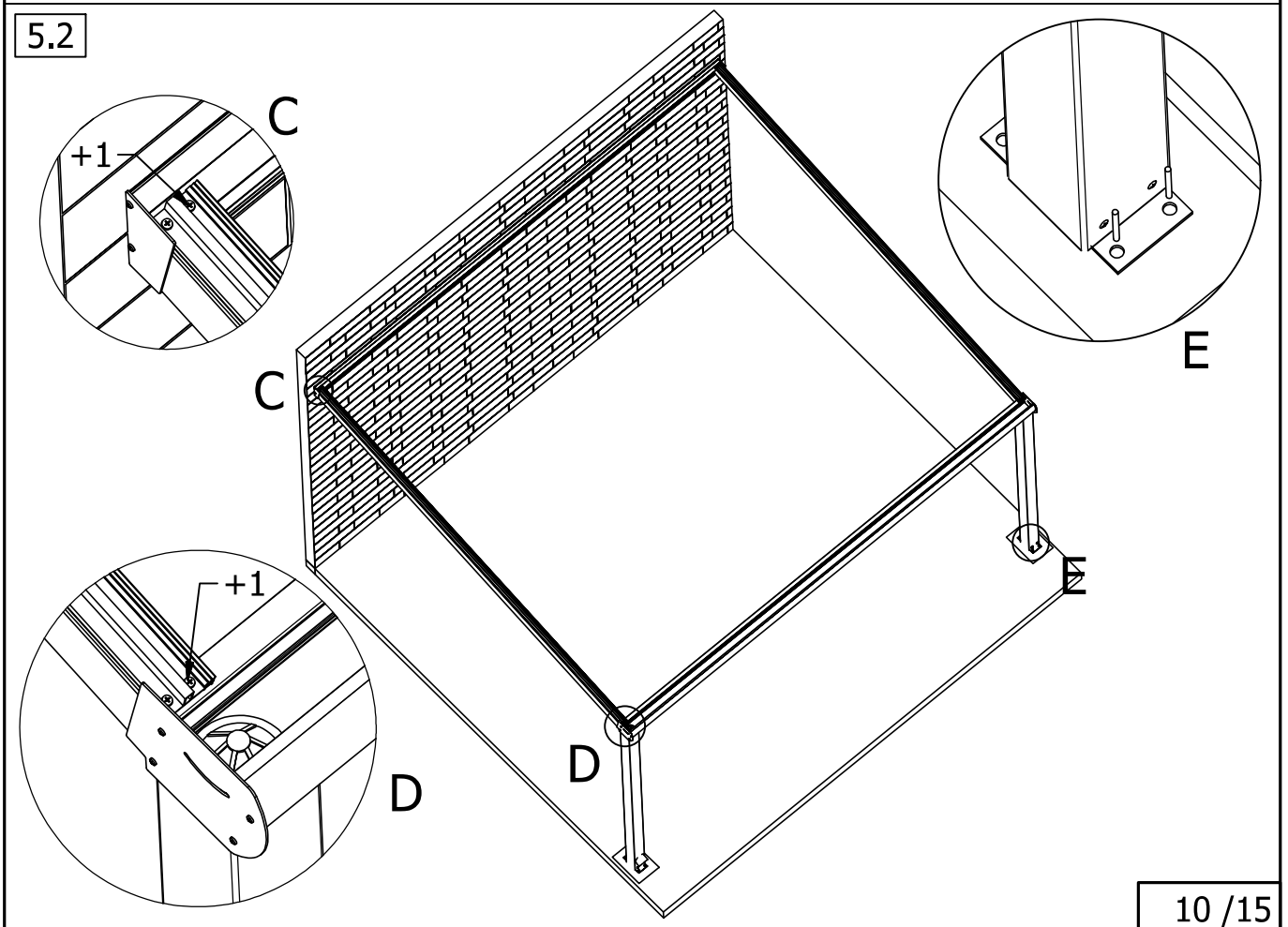
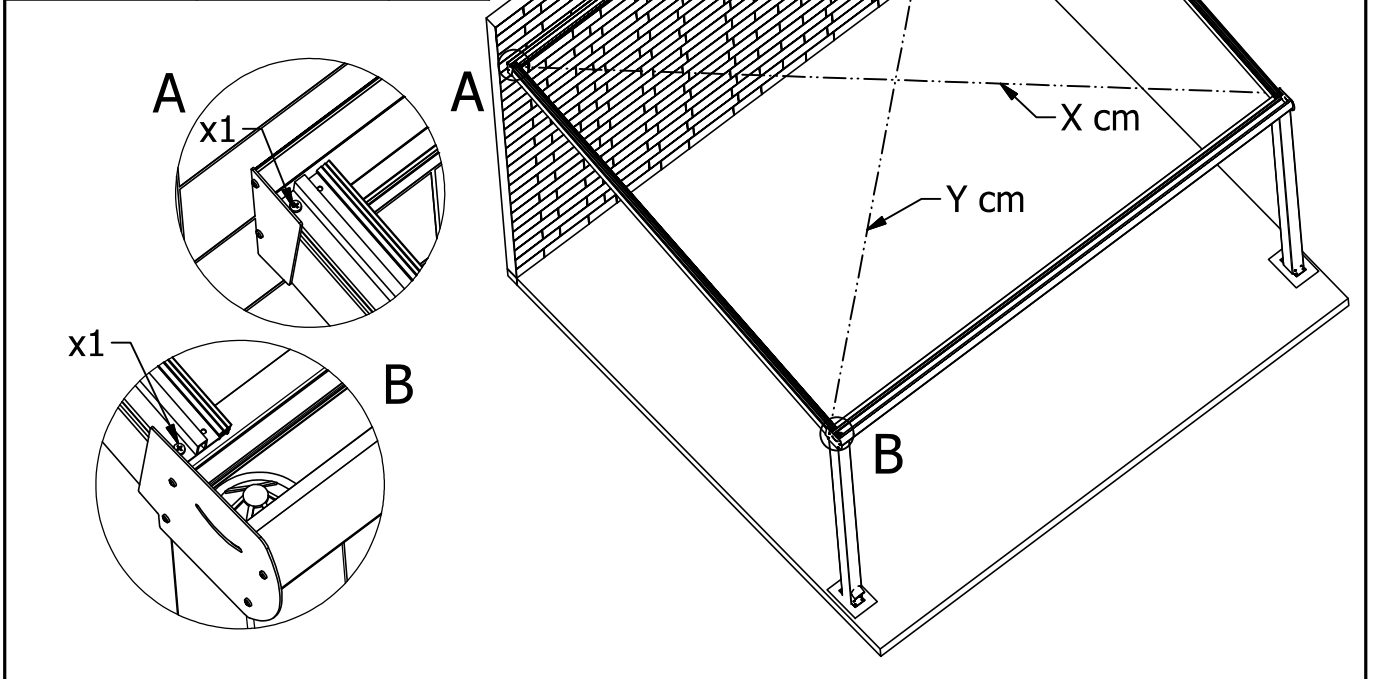
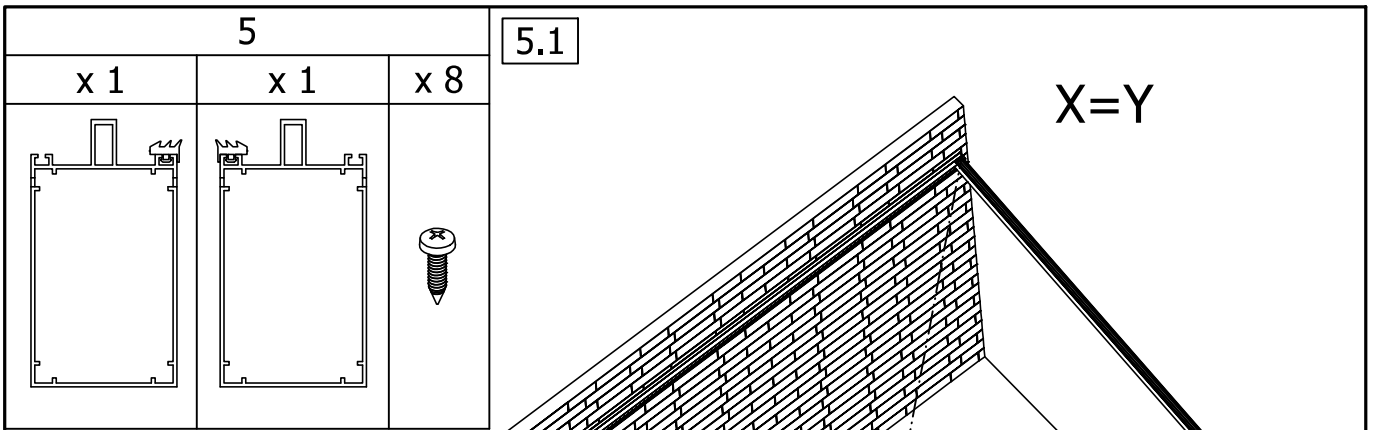
x 2


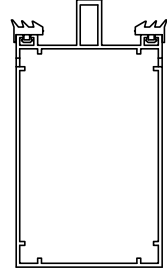

x C

x D

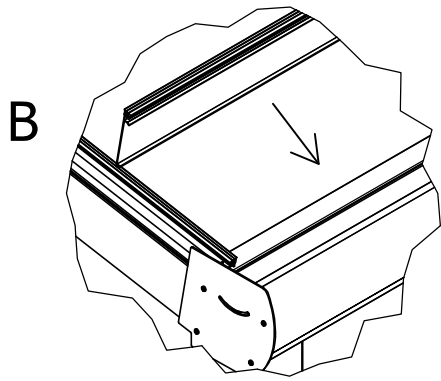
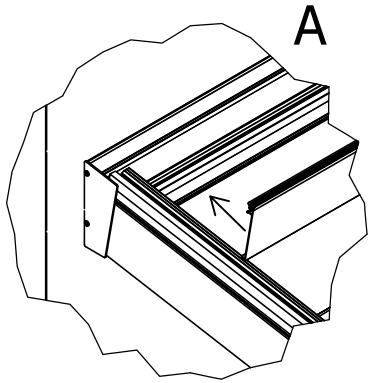
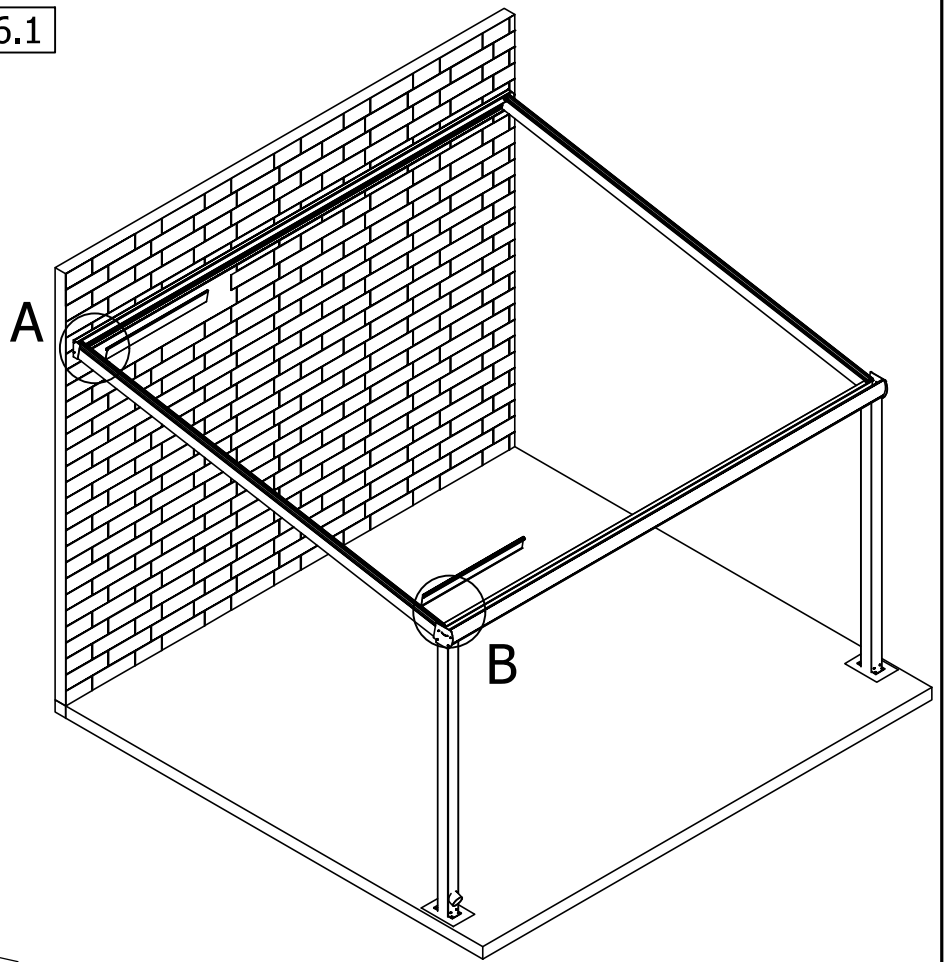
x E



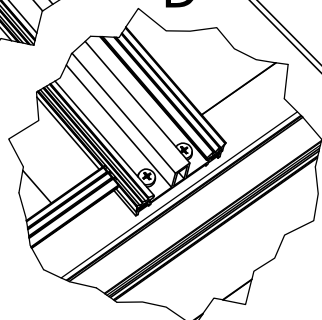
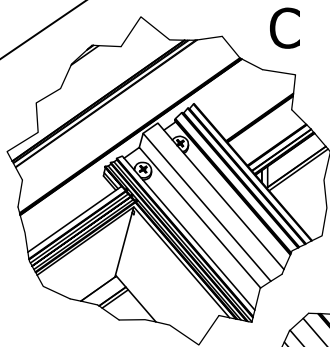
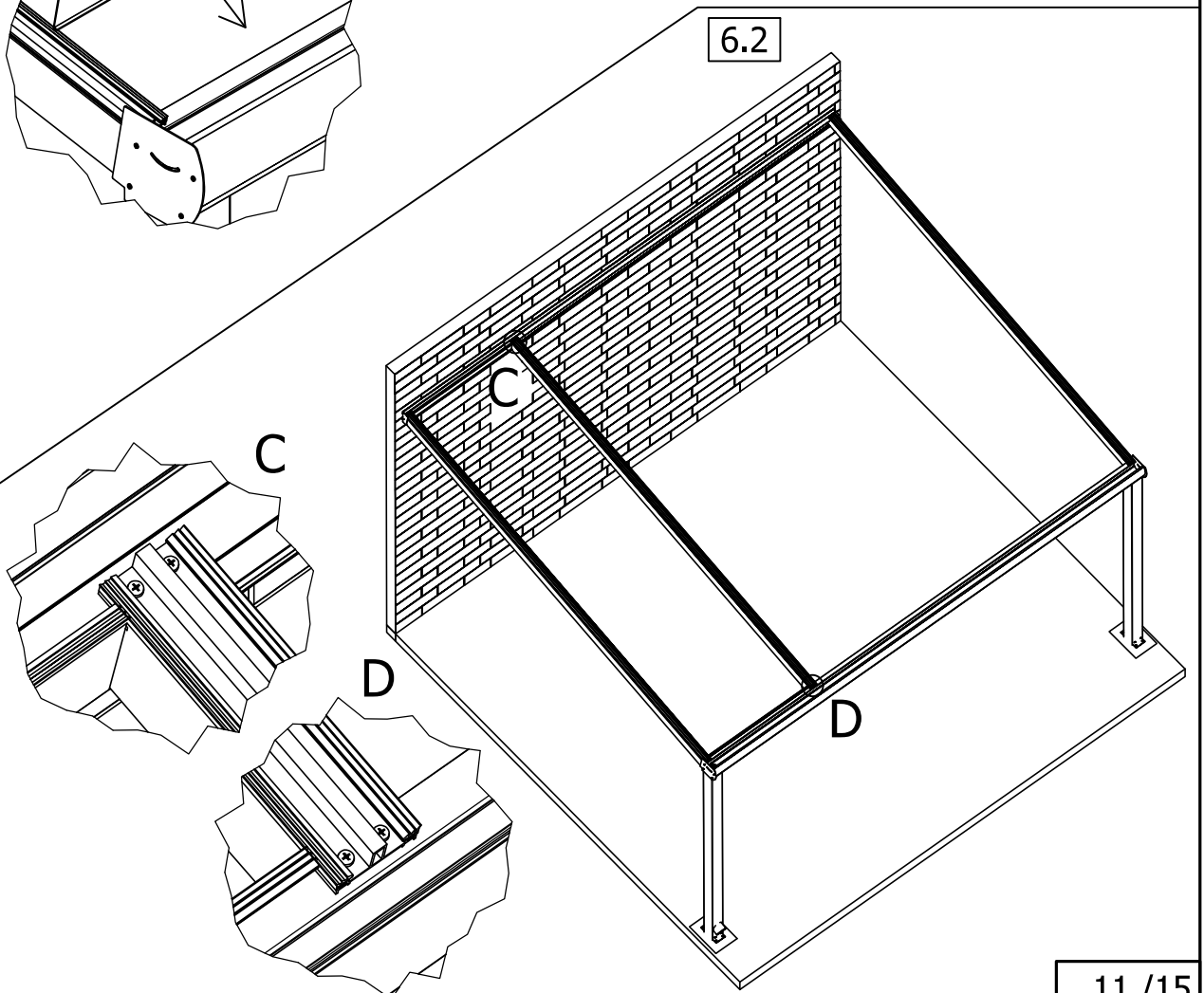


6		
x F	x H	x G
		

6.1

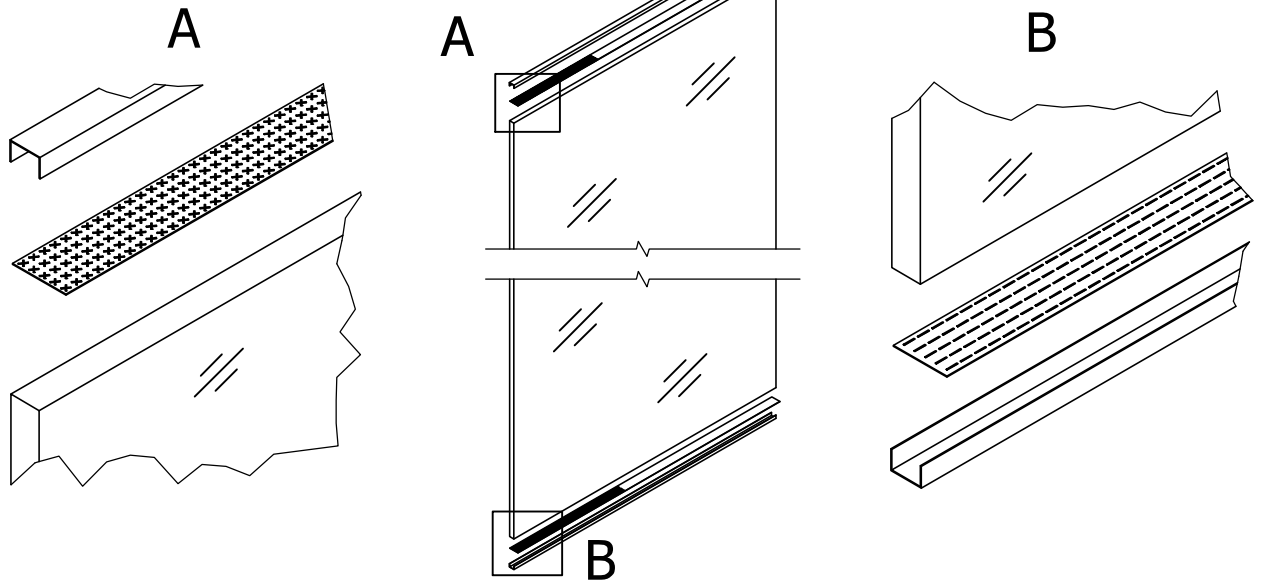


6.2

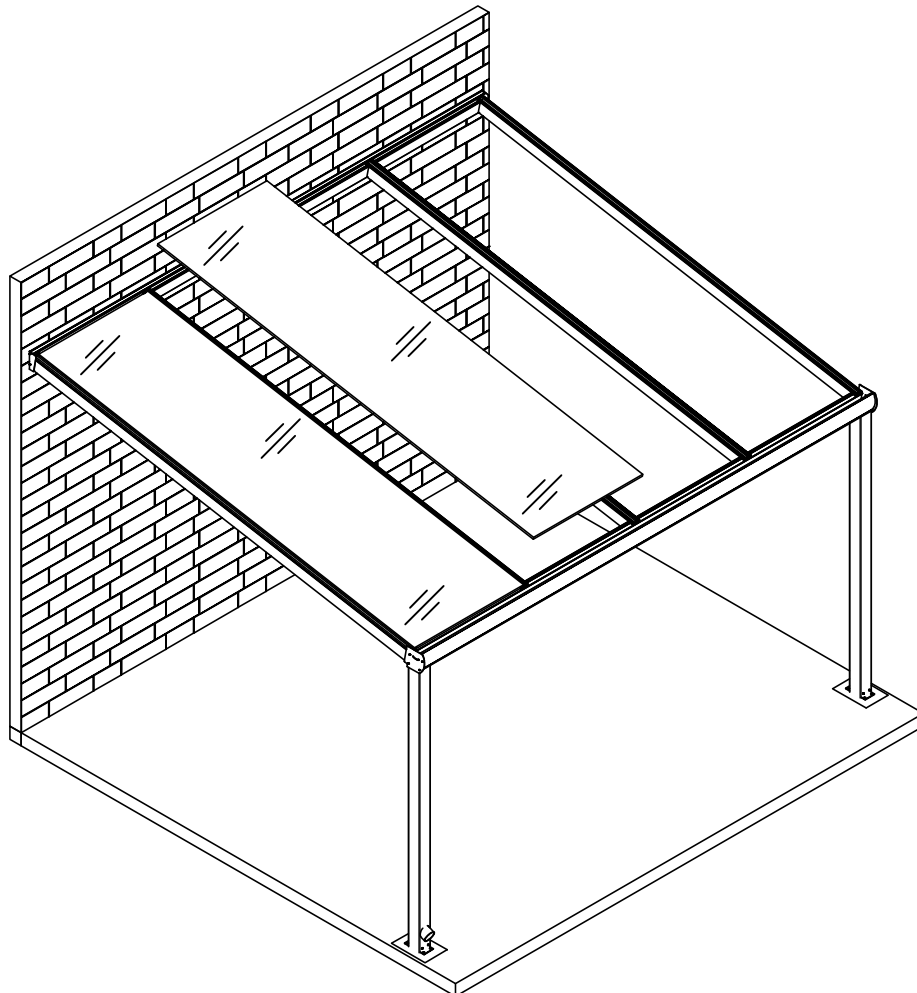


7									
x Y	x 1	x 1	x J	x 2	x K	x L	x M	x 2	x N

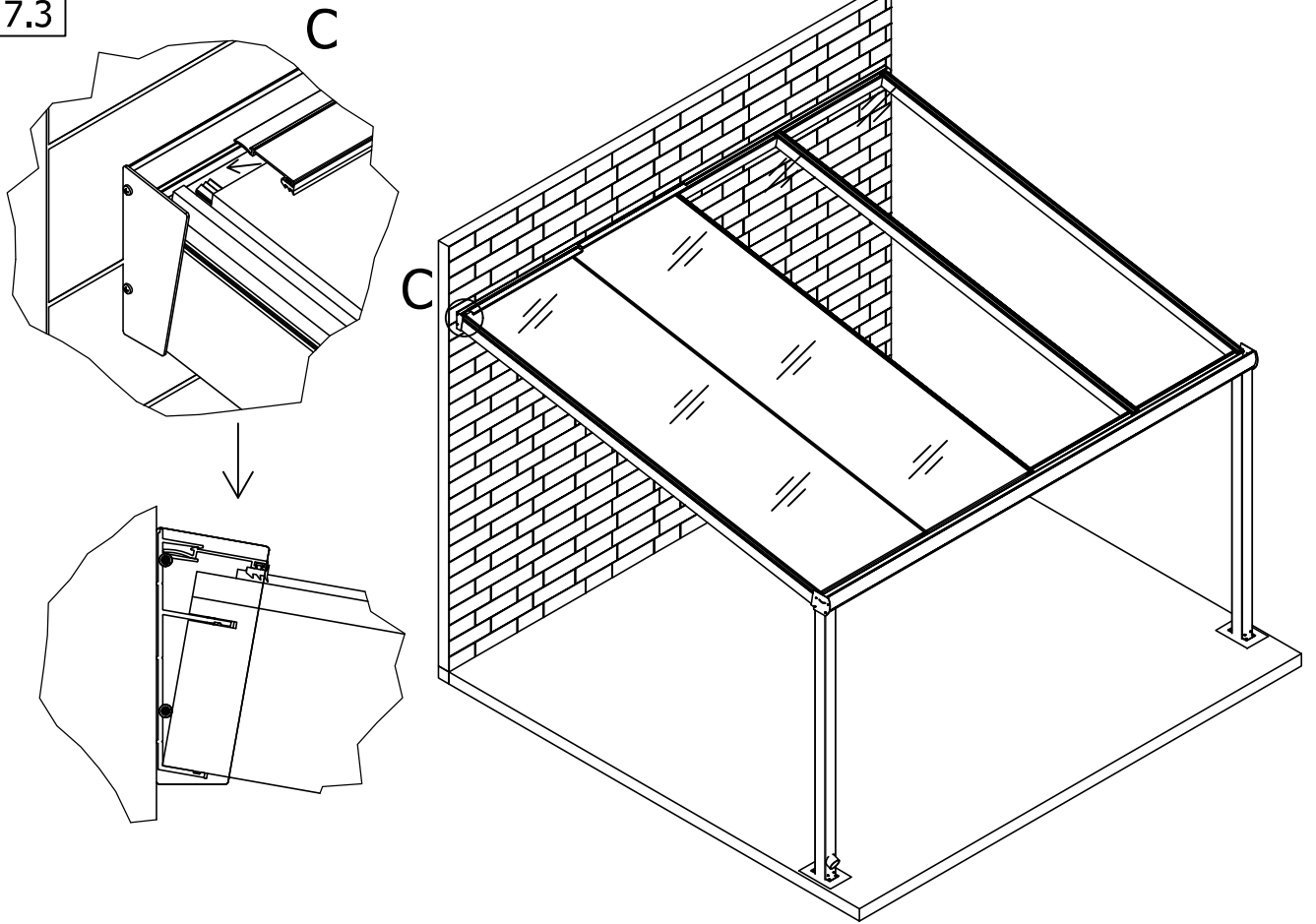
7.1



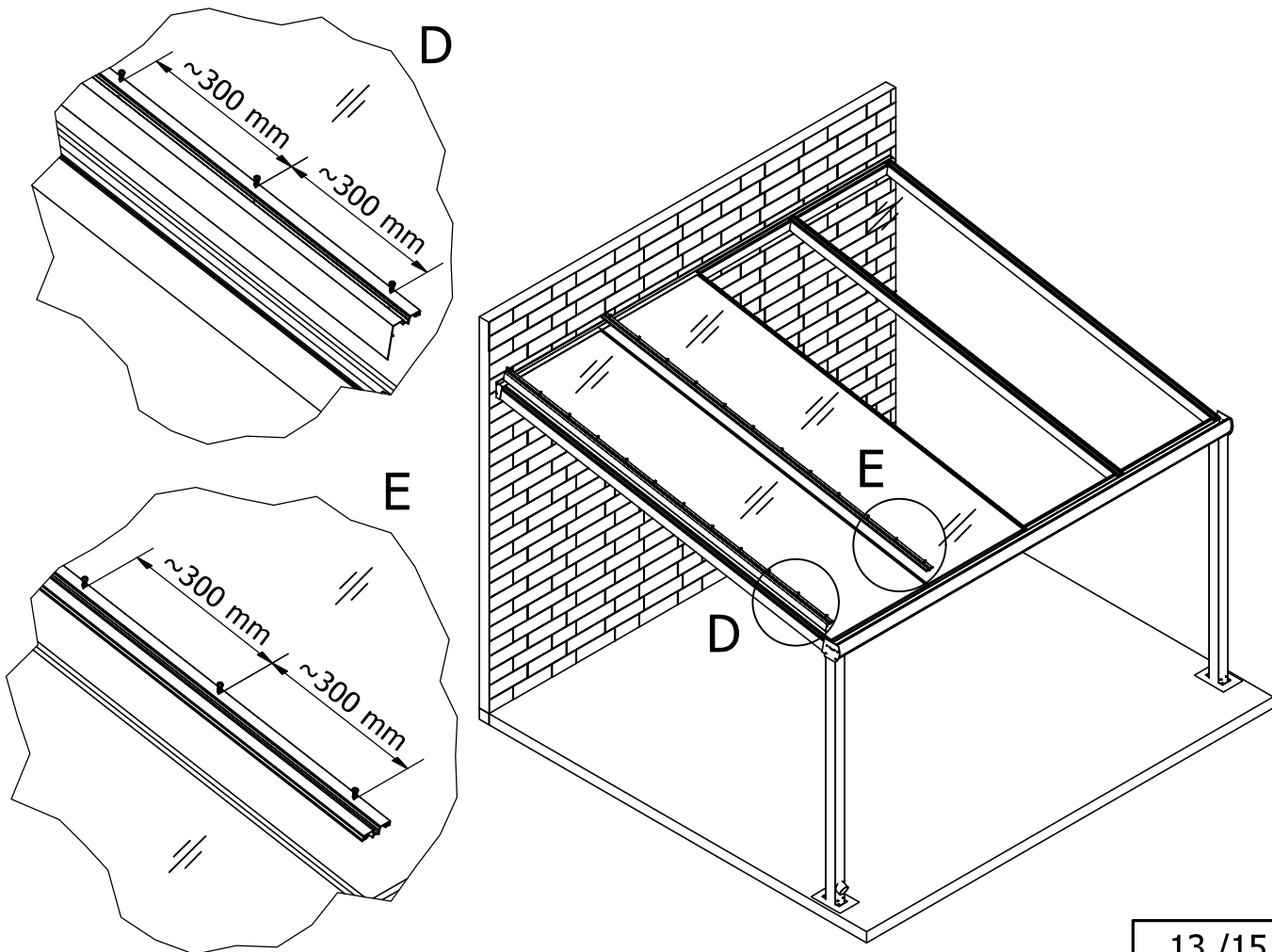
7.2

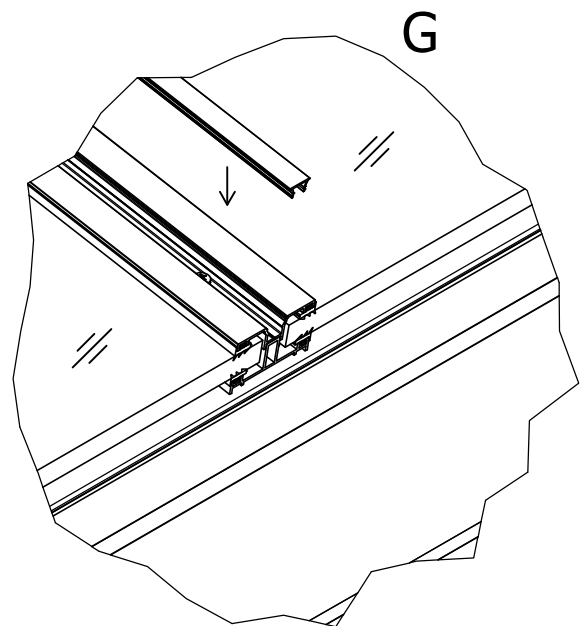
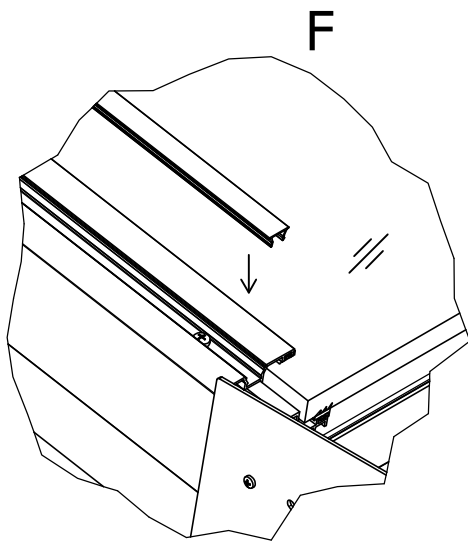
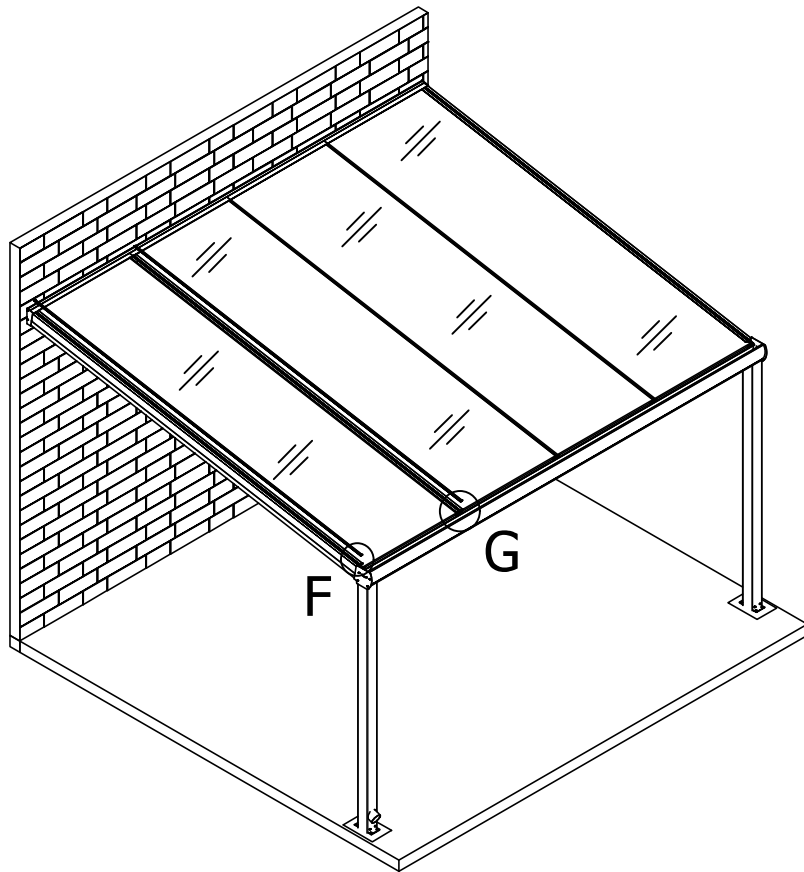


7.3



7.4





8

8.1

x R

x S

